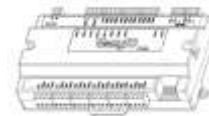


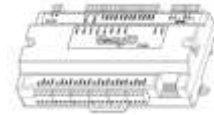
FC20 Installation Guide



Document Change Log

26th Feb 2013

Document created.



Disclaimer

EasyIO FC-20 is a product by EasyIO Holdings Pte Ltd

The EasyIO FC-20 was built on the Sedona Framework[®].

Sedona Framework is a trademark of Tridium, Inc.

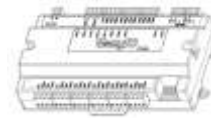
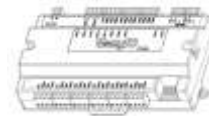


Table of Contents

Introduction	5
Dimension	5
Physical Installation Instructions	7
Opening the Top Cover	10
Technical Support	11



Introduction

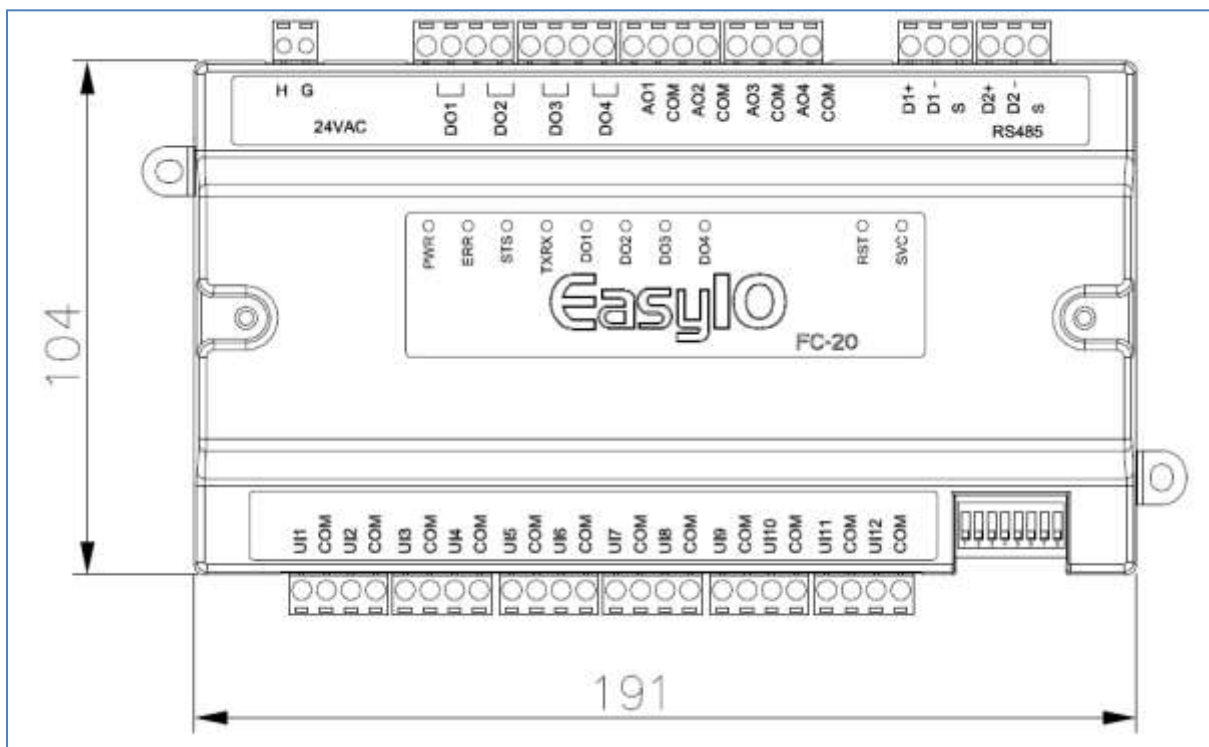
This document provides the installation guide/mounting guide for the EasyIO FC-20 controller.

Do not mount the EasyIO FC-20:

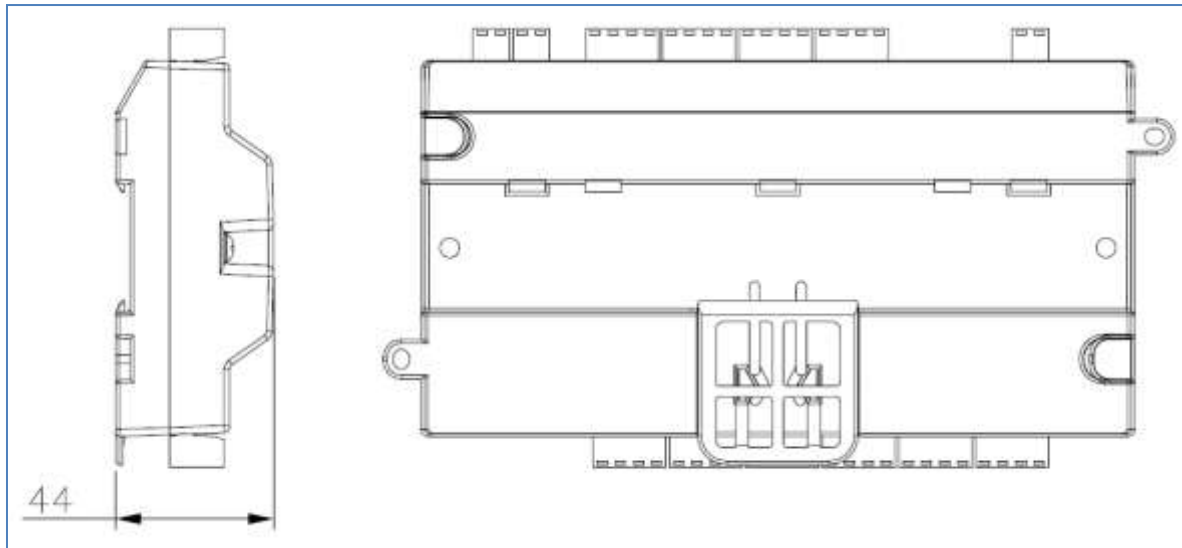
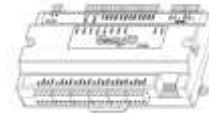
- In an area where excessive moisture, corrosive fumes or explosion vapors are present.
- Where excessive vibration or shock is likely occur
- Location where excessive electrical noise such as large magnetic interference or variable speed drive modules

Dimension

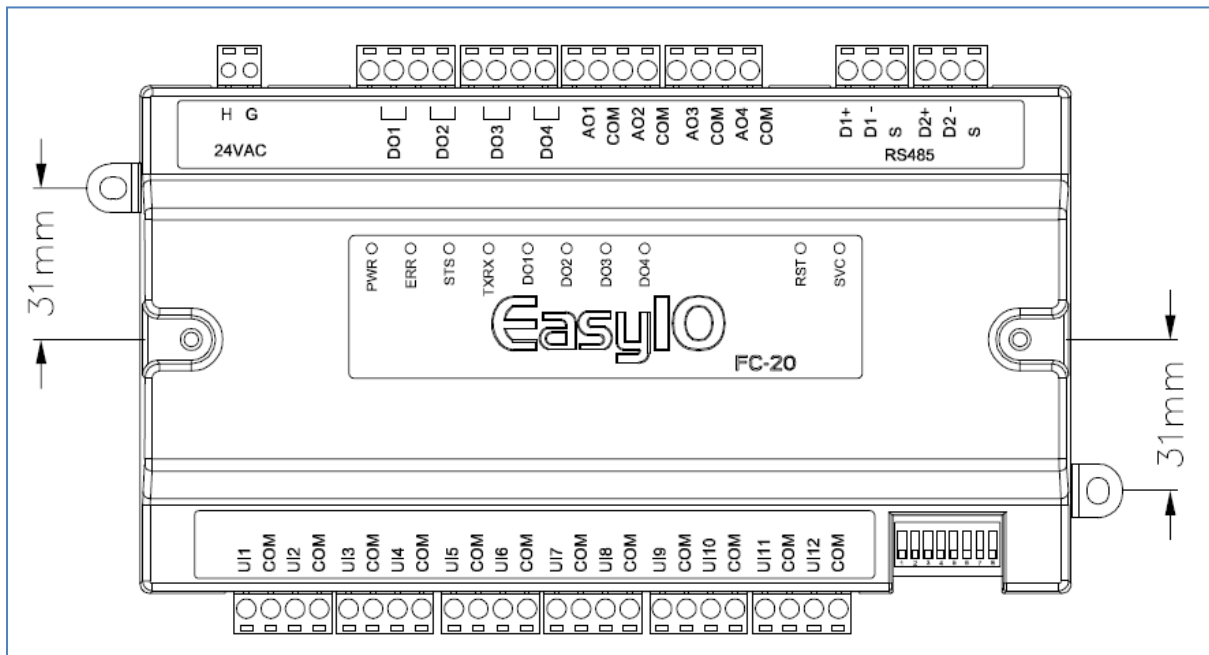
Below are the dimensions of the device.



Top View. Width including connectors is approx 124mm



Side view and back view.
Improved DIN rail mounting for easy dismantling.



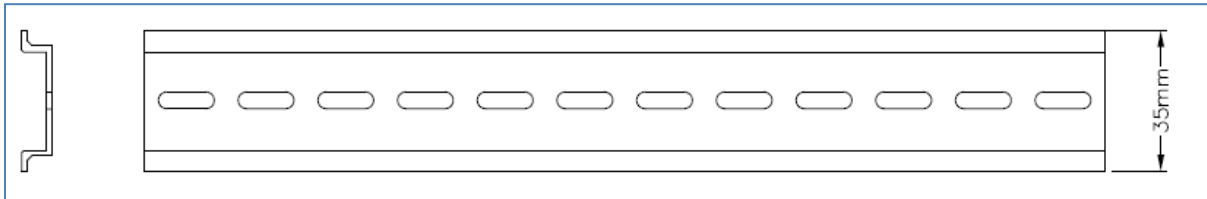
Alternate mounting option dimension



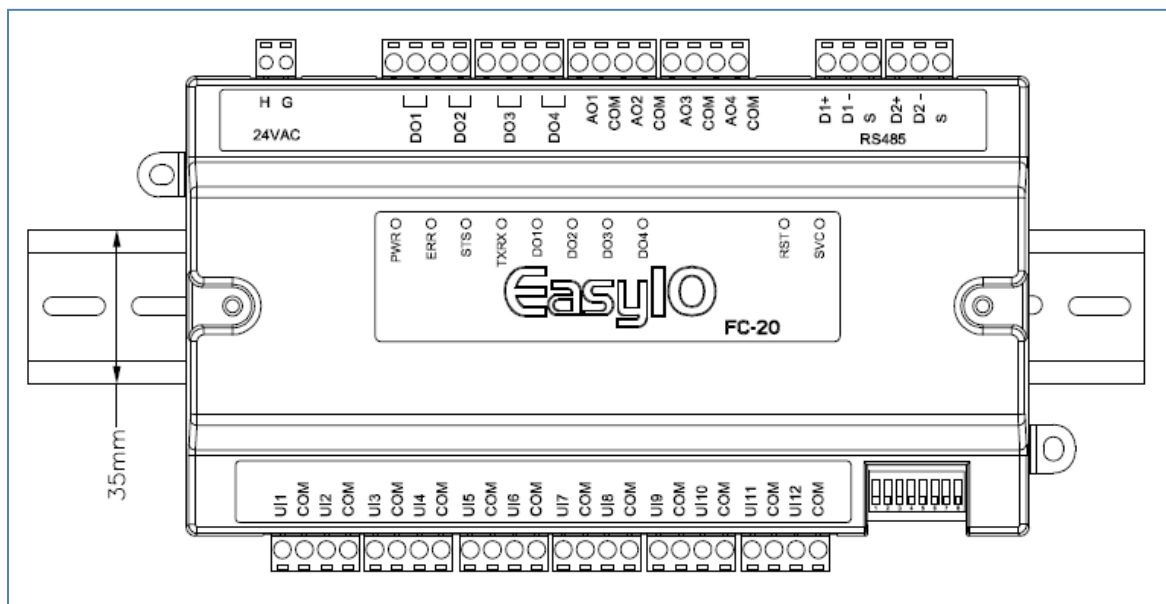
Physical Installation Instructions

Step 1

Securely fasten the DIN rail to the enclosure base plate.

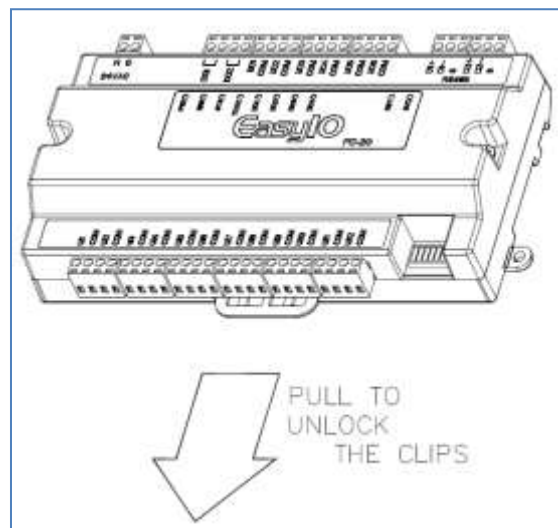


Typical industrial DIN rail, 35mm



Step 2

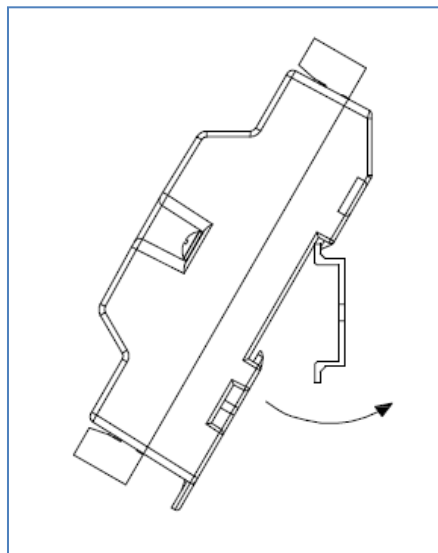
Use a screwdriver to unlock the 2 numbers of locking clips.





Step 3

Position the EasyIO FC-20 on the DIN rail mount till it hooks over the top edge of the DIN rail.



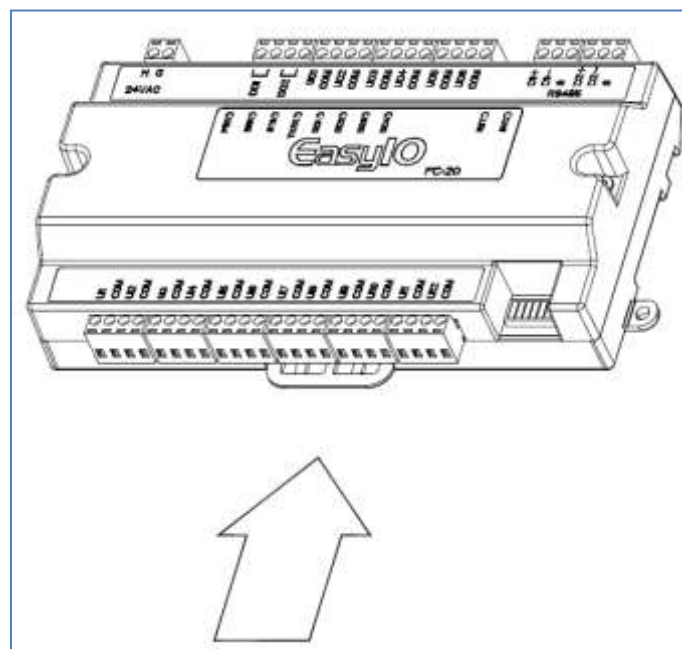
Push the controller towards the bottom part of the DIN rail

Step 4

Press/flatten the EasyIO FC-20 to make sure the bottom of the base cover touches the enclosure base plate.

Step 5

Use a screwdriver to lock the locking clips to secure the EasyIO FC-20 to the DIN rail.





Step 6

To keep the assembly secure a DIN rail end clip can be use.

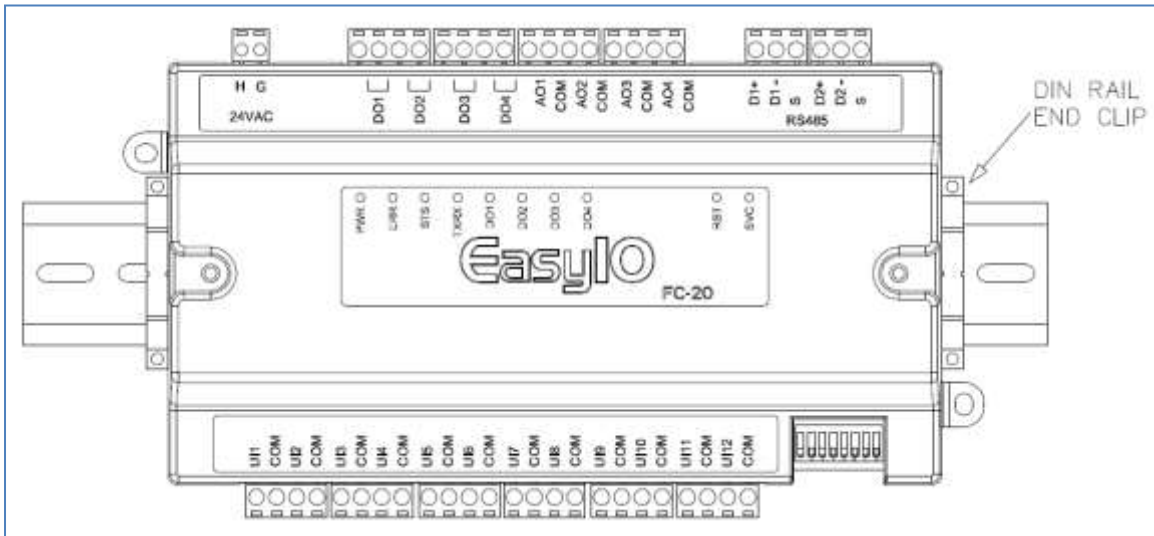
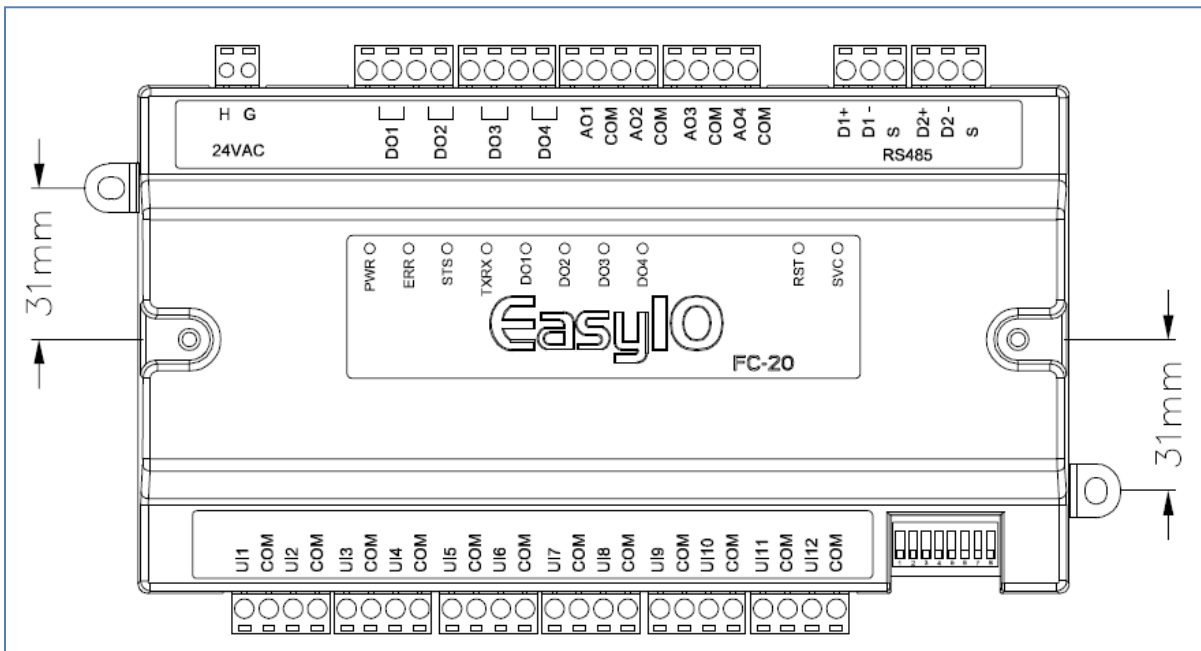


Image shows a typical “DIN rail end clip(end stopper)”

The EasyIO FC-20 comes with 2 mounting holes as optional mounting. Occasionally if DIN rail mounting is not practical, you can use screws to mount the EasyIO FC-20 to an enclosure base plate.

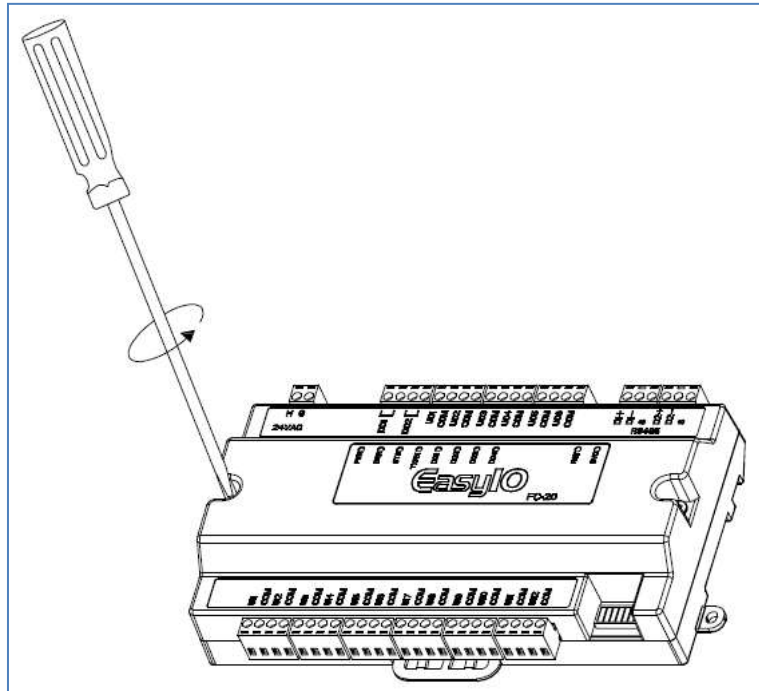




Opening the Top Cover

Step 1

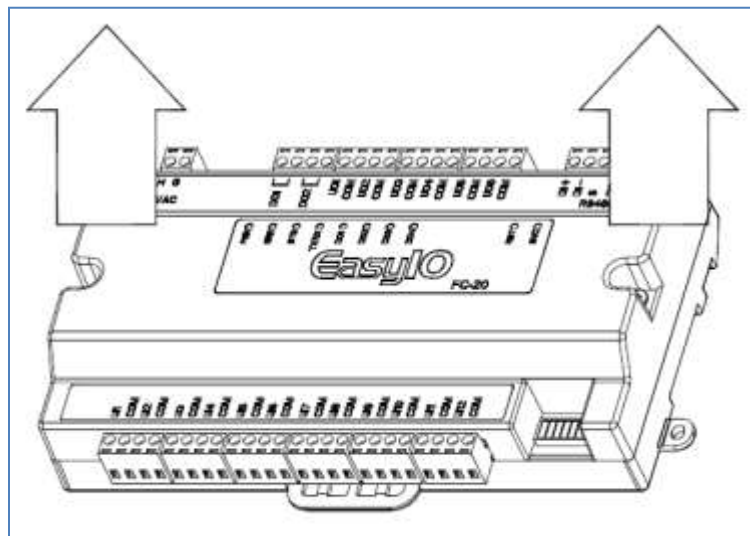
Use a Philips screwdriver to unscrew the 2 Philips screw located on top the top cover.



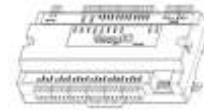
Remove the 2 Button Head Philips screws

Step 2

Hold both end of the top cover to lift up the top cover. Occasionally a small flat head screw driver might come handy in case the top cover stuck to the bottom cover.



Hold both sides and lift up the top cover



Technical Support

For technical issue, please contact

Email : support@easyio.com